

1-STAGE	2-STAGE	3-STAGE
---------	---------	---------

Ratio i:1	Max. motor shaft-ØD	Ratio i:1	Max. motor shaft-ØD	Ratio i:1	
				Ratio i:1	Max. motor shaft-ØD
3	5	9	5	36	5
		12	5	48	5
		16	3	64	3
		21	5	84	5
4	3	28	3	112	3
		3	5	147	5
7	1	28	3	196	3
		3	5	343	1

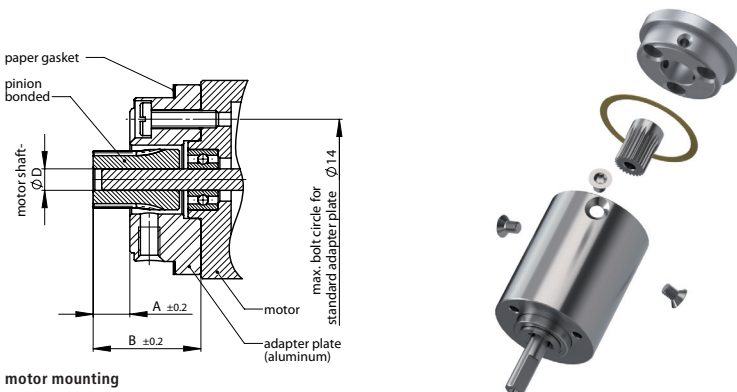
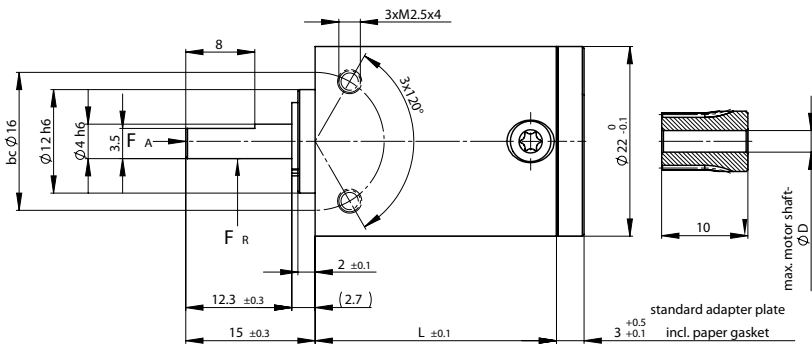
Standard scope of delivery Gearbox lubricated for duration of service life, dust-proof package, motor pinion and assembly instructions (adapter plate optional).

Customized versions also available for small quantities.

Max. rated torque continuous	Nm	0.1	0.3	0.5
Max. efficiency at max. rated torque continuous	%	90	85	80
Average backlash at no load	arcmin ≤	20	35	50
Weight without adapter plate	g	20	25	30
Dimension L	mm	18.5	23.5	28.5
Dimension A	mm	3		
Dimension B	mm	7.2		
Max. radial load	F _R	5 mm from shaft end		N
Max. axial load	F _A	30		
Max. continuous rated speed at drive	min ⁻¹	10		
Max. intermittent rated speed at drive	min ⁻¹	6000		
Temperature range	Type Standard	°C		
Temperature range	Type V	-30 / +90		
		-40 / +90		

Type V = heavy duty version

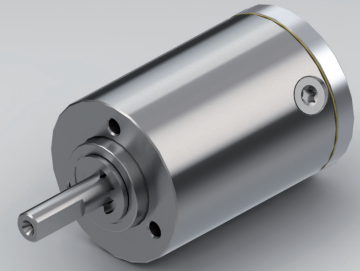
Changes reserved © GYSIN AG | 05/2015



Standard scope of delivery Gearbox lubricated for duration of service life, dust-proof package, motor pinion, mounting screws, paper gasket and assembly instructions (adapter plate optional).
Customized versions also available for small quantities.

PLANETARY GEARBOX GPL022

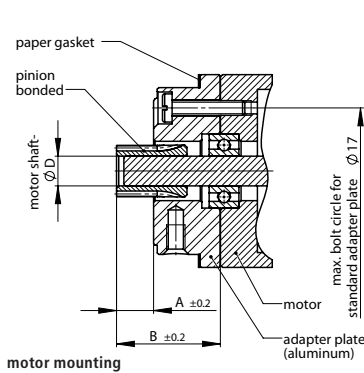
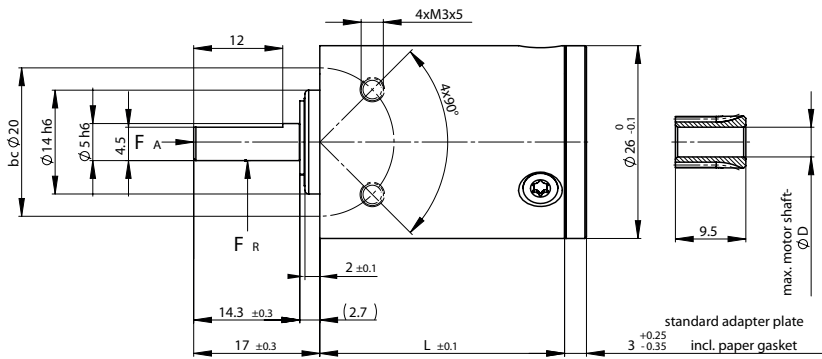
stainless steel version



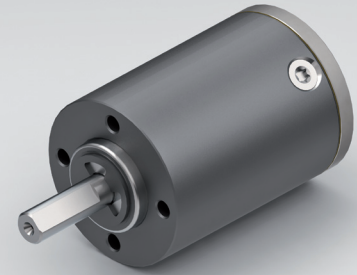
		1-STAGE	2-STAGE	3-STAGE		
Ratio i:1	Max. motor shaft-ØD	16	4	Ratio i:1	Max. motor shaft-ØD	
				64	4	
				80	4	
				112	4	
20	4	140	4			
4	4	28	4	196	4	
5	3	35	3	245	3	
7	1.5	49	1.5	343	1.5	
Rated torque continuous	Type Standard	Type R	Nm	0.1	0.5	1.5
Rated torque intermittent	Type Standard	Type R	Nm	0.2	1	3
Rated torque continuous	Type V		Nm	0.2	1	1.5
Rated torque intermittent	Type V		Nm	0.4	1.5	3
Max. efficiency at rated torque			%	90	85	80
Average backlash at no load	Type Standard	Type V	arcmin ≤	20	35	50
Average backlash at no load	Type R		arcmin ≤	10	20	30
Weight without adapter plate			g	50	75	100
Dimension L			mm	21	28	35
Dimension A			mm	4.25		
Dimension B			mm	12.5		
Max. radial load	F _R	6 mm from shaft end	N	30		
Max. axial load	F _A		N	24		
Max. continuous rated speed at drive			min ⁻¹	6000		
Max. intermittent rated speed at drive			min ⁻¹	10000		
Temperature range	Type Standard	Type R	°C	-30 / +90		
Temperature range	Type V		°C	-40 / +90		

Type V = heavy duty version | Type R = reduced backlash version

Changes reserved © GYSIN AG | 05/2015



PLANETARY GEARBOX GPL026



		1-STAGE	2-STAGE	3-STAGE	
Ratio i:1	Max. motor shaft- $\varnothing D$	Ratio i:1	Max. motor shaft- $\varnothing D$	Ratio i:1	Max. motor shaft- $\varnothing D$
				81.37	4
				112.67	4
				143.97	4
18.78	4	199.33	4		
3.5	4	26	4	216	2
4.33	4	33.22	4	276	2
6	2	46	2	352.67	2

Standard scope of delivery Gearbox lubricated for duration of service life, dust-proof package, motor pinion, mounting screws, paper gasket and assembly instructions (adapter plate optional).

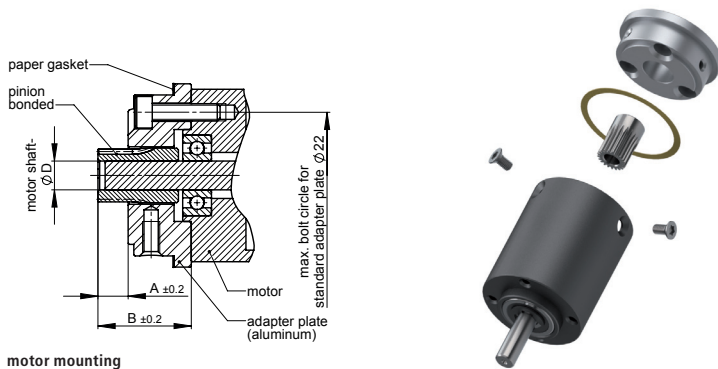
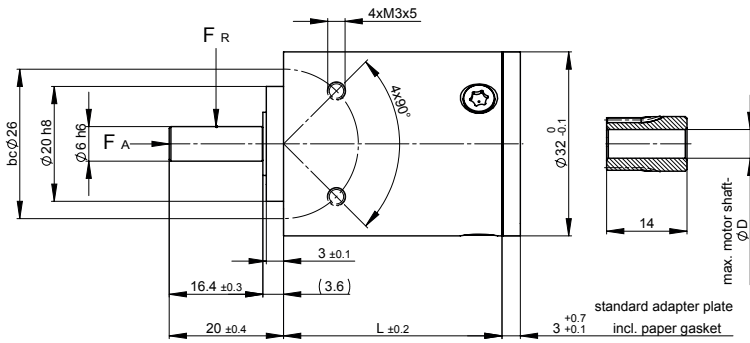
Customized versions also available for small quantities.

Stainless steel version on request.

Rated torque continuous	Type Standard	Type R	Nm	0.3	1	3
Rated torque intermittent	Type Standard	Type R	Nm	0.6	2	6
Rated torque continuous	Type V		Nm	0.6	2	3
Rated torque intermittent	Type V		Nm	1.2	3	6
Max. efficiency at rated torque			%	90	85	80
Average backlash at no load	Type Standard	Type V	arcmin ≤	20	35	50
Average backlash at no load	Type R		arcmin ≤	10	20	30
Weight without adapter plate			g	70	90	115
Dimension L			mm	25	33	41
Dimension A			mm	5		
Dimension B			mm	14		
Max. radial load	F _R	7 mm from shaft end	N	50		
Max. axial load	F _A		N	40		
Max. continuous rated speed at drive			min ⁻¹	6000		
Max. intermittent rated speed at drive			min ⁻¹	10000		
Temperature range	Type Standard	Typ R	°C	-30 / +90		
Temperature range	Type V		°C	-40 / +90		

Type V = heavy duty version | Type R = reduced backlash version

Changes reserved © GYSIN AG | 05/2015



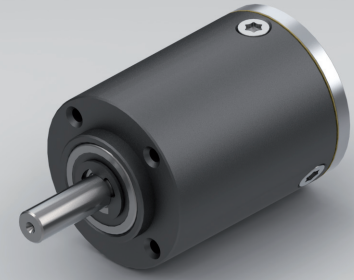
motor mounting

Standard scope of delivery Gearbox lubricated for duration of service life, dust-proof package, motor pinion, mounting screws, paper gasket and assembly instructions (adapter plate optional).

Customized versions also available for small quantities.

Stainless steel version on request.

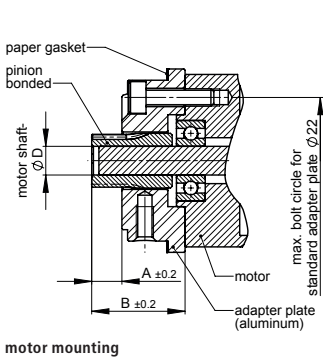
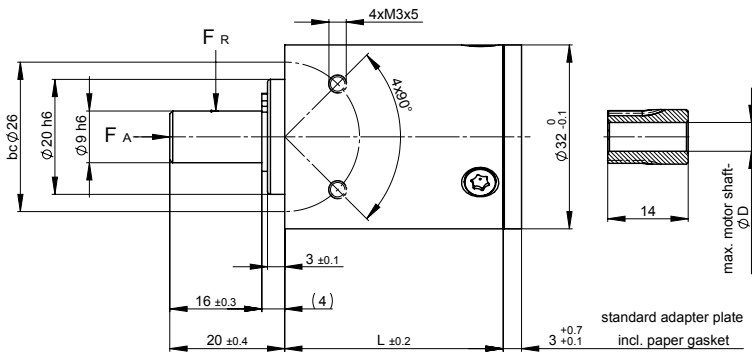
PLANETARY GEARBOX GPL032



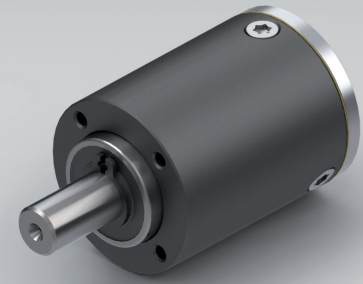
		1-STAGE	2-STAGE	3-STAGE		
Ratio i:1	Max. motor shaft-ØD	Ratio i:1	Max. motor shaft-ØD	Ratio i:1	Max. motor shaft-ØD	
				64	6	
		72	6			
		81	6			
		12.08	6	100	6	
		16	6	130	6	
		18	6	144	6	
		20.8	6	175.78	5	
		25	6	200	6	
		29	6	225	5	
4	6	32	6	256	6	
4.5	5	36	5	288	5	
5.2	4	41.6	4	332.8	4	
6.25	3	50	3	400	3	
8	2	64	2	512	2	
Rated torque continuous	Type Standard	Type R	Nm	0.4	2	6
Rated torque intermittent	Type Standard	Type R	Nm	0.8	4	12
Rated torque continuous	Type V	Type S	Nm	0.8	4	6
Rated torque intermittent	Type V	Type S	Nm	1.6	6	12
Max. efficiency at rated torque			%	90	85	80
Average backlash at no load	Type Standard	Type V	arcmin ≤	20	35	50
Average backlash at no load	Type R		arcmin ≤	12	20	30
Average backlash at no load	Type S		arcmin ≤	8	12	15
Weight without adapter plate			g	135	180	250
Dimension L			mm	29	38	47
Dimension A			mm		5.25	
Dimension B			mm		16.25	
Max. radial load	FR	8 mm from shaft end	N		80	
Max. axial load	FA		N		65	
Max. continuous rated speed at drive			min ⁻¹		5000	
Max. intermittent rated speed at drive			min ⁻¹		8000	
Temperature range	Type Standard	Type R	°C		-30 / +90	
Temperature range	Type V	Type S	°C		-40 / +90	

Type V = heavy duty version | Type R = reduced backlash version | Type S = low backlash version

Changes reserved © GYSIN AG | 05/2015



PLANETARY GEARBOX GPL032P



		2-STAGE	3-STAGE	4-STAGE	
Ratio i:1	Max. motor shaft- $\varnothing D$	Ratio i:1	Max. motor shaft- $\varnothing D$	Ratio i:1	Max. motor shaft- $\varnothing D$
				256	6
				288	6
				332.8	6
16	6	64	6	324	6
		72	6	400	6
18	5	81	5	512	6
20.8	4	100	6	625	6
25	3	144	5	800	6
32	2	200	3	1024	6
		32	2	1600	3

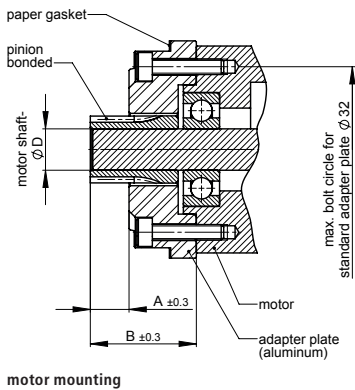
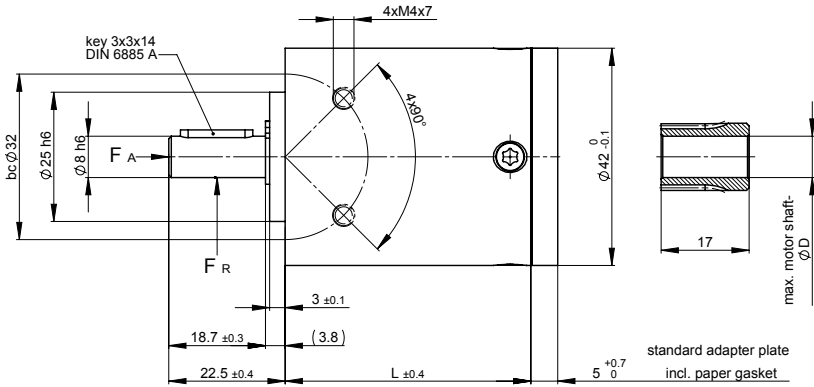
Standard scope of delivery Gearbox lubricated for duration of service life, dust-proof package, motor pinion, mounting screws, paper gasket and assembly instructions (adapter plate optional).

Customized versions also available for small quantities.

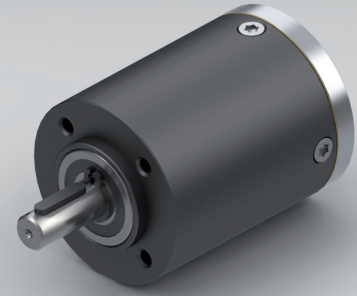
Rated torque continuous	Type Standard	Nm	4	12	12
Rated torque intermittent	Type Standard	Nm	6	16	16
Rated torque continuous	Type V	Nm	6	12	12
Rated torque intermittent	Type V	Nm	8	16	16
Max. efficiency at rated torque		%	85	80	75
Average backlash at no load	Type Standard Type V	arcmin \leq	35	50	60
Weight without adapter plate		g	180	225	270
Dimension L		mm	38	47	56
Dimension A		mm	5.25		
Dimension B		mm	16.25		
Max. radial load	F_R 8 mm from shaft end	N	80		
Max. axial load	F_A	N	65		
Max. continuous rated speed at drive		min ⁻¹	5000		
Max. intermittent rated speed at drive		min ⁻¹	8000		
Temperature range	Type Standard	°C	-30 / +90		
Temperature range	Type V	°C	-40 / +90		

Type V = heavy duty version

Changes reserved © GYSIN AG | 05/2015



PLANETARY GEARBOX GPL042



		1-STAGE	2-STAGE	3-STAGE	
Ratio i:1	Max. motor shaft- $\varnothing D$	Ratio i:1	Max. motor shaft- $\varnothing D$	49	8
				56	8
				64	8
		12.25	8	64	8
		14	8	70	8
		16	8	80	8
		20	8	100	8
		24	8	120	8
		25	6	144	8
		3.5	8	30	6
4	8	30.67	8	235.11	8
5	6	38.33	6	293.89	6
6	4	46	4	352.67	4
7.67	3	58.78	3	450.63	3

Standard scope of delivery Gearbox lubricated for duration of service life, dust-proof package, motor pinion, mounting screws, paper gasket and assembly instructions (adapter plate optional).

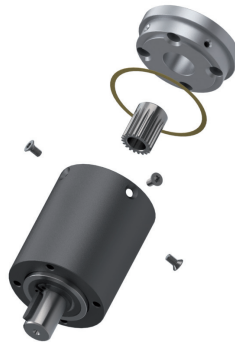
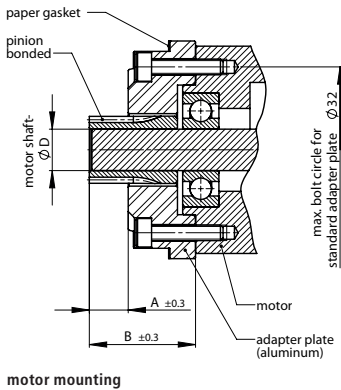
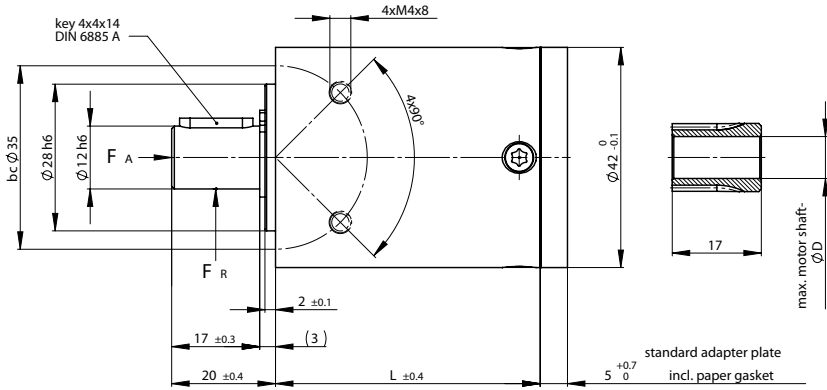
Customized versions also available for small quantities.

Stainless steel version on request.

Rated torque continuous	Type Standard	Type R	Nm	0.7	4	12
Rated torque intermittent	Type Standard	Type R	Nm	1.4	8	24
Rated torque continuous	Type V	Type S	Nm	1.4	8	12
Rated torque intermittent	Type V	Type S	Nm	3	12	24
Max. efficiency at rated torque			%	90	85	80
Average backlash at no load	Type Standard	Type V	arcmin \leq	20	35	50
Average backlash at no load	Type R		arcmin \leq	12	20	30
Average backlash at no load	Type S		arcmin \leq	8	12	15
Weight without adapter plate			g	275	350	425
Dimension L			mm	35	47.5	60
Dimension A			mm		7.5	
Dimension B			mm		20.5	
Max. radial load	F_R	9.5 mm from shaft end	N		150	
Max. axial load	F_A		N		120	
Max. continuous rated speed at drive			min ⁻¹		5000	
Max. intermittent rated speed at drive			min ⁻¹		8000	
Temperature range			°C		-25 / +90	

Type V = heavy duty version | Type R = reduced backlash version | Type S = low backlash version

Changes reserved © GYSIN AG | 05/2015



Standard scope of delivery Gearbox lubricated for duration of service life, dust-proof package, motor pinion, mounting screws, paper gasket and assembly instructions (adapter plate optional).
Customized versions also available for small quantities.
Stainless steel version on request.

Rated torque continuous	Type Standard	Type R	Nm	0.7	4	15
Rated torque intermittent	Type Standard	Type R	Nm	1.4	8	30
Rated torque continuous	Type V	Type S	Nm	1.4	8	15
Rated torque intermittent	Type V	Type S	Nm	3	15	30
Max. efficiency at rated torque			%	90	85	80
Average backlash at no load	Type Standard	Type V	arcmin ≤	20	35	50
Average backlash at no load	Type R		arcmin ≤	12	20	30
Average backlash at no load	Type S		arcmin ≤	8	12	15
Weight without adapter plate			g	315	400	485
Dimension L			mm	38	50.5	63
Dimension A			mm		7.5	
Dimension B			mm		20.5	
Max. radial load	F _R	8.5 mm from shaft end	N		250	
Max. axial load	F _A		N		200	
Max. continuous rated speed at drive			min ⁻¹		5000	
Max. intermittent rated speed at drive			min ⁻¹		8000	
Temperature range			°C		-25 / +90	

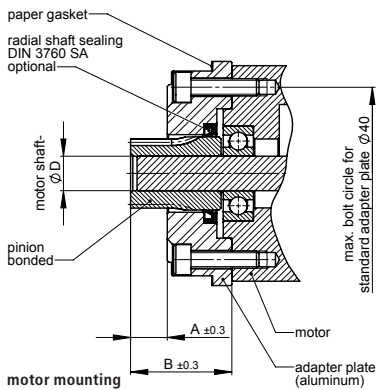
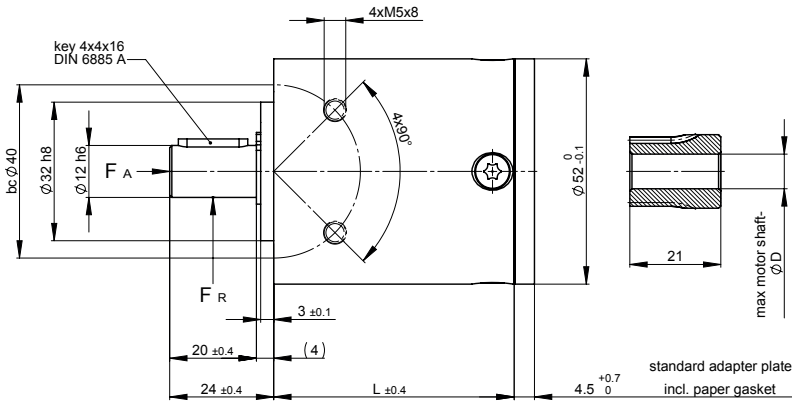
Type V = heavy duty version | Type R = reduced backlash version | Type S = low backlash version

PLANETARY GEARBOX GPL042K



		1-STAGE	2-STAGE	3-STAGE			
Ratio i:1	Max. motor shaft-ØD		Ratio i:1	Max. motor shaft-ØD			
				Ratio i:1	Max. motor shaft-ØD		
		3.5	8	30	6	184	8
		4	8	30.67	8	235.11	8
		5	6	38.33	6	293.89	6
		6	4	46	4	352.67	4
		7.67	3	58.78	3	450.63	3

Changes reserved © GYSIN AG | 05/2015



PLANETARY GEARBOX GPL052

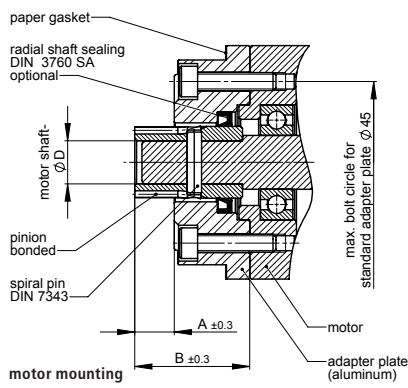
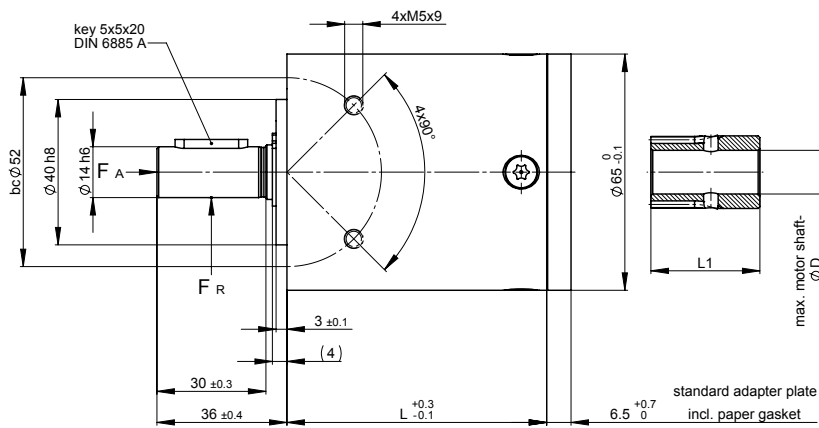
		1-STAGE	2-STAGE	3-STAGE	
Ratio i:1	Max. motor shaft-ØD	Ratio i:1	Max. motor shaft-ØD	Ratio i:1	Max. motor shaft-ØD
				64	10
				72	10
		81	10		
		12.08	10	100	10
		16	10	130	10
		18	10	144	10
		20.8	10	175.78	9
		25	10	200	10
		29	10	225	9
4	10	32	10	256	10
4.5	9	36	9	288	9
5.2	7	41.6	7	332.8	7
6.25	6	50	6	400	6
8	4	64	4	512	4

Standard scope of delivery Gearbox lubricated for duration of service life, dust-proof package, motor pinion, mounting screws, paper gasket and assembly instructions (adapter plate optional).
Customized versions also available for small quantities.
Stainless steel version on request.

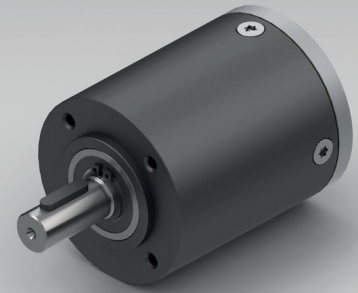
Rated torque continuous	Type Standard	Type R	Nm	1.5	10	30
Rated torque intermittent	Type Standard	Type R	Nm	3	20	60
Rated torque continuous	Type V	Type S	Nm	3	15	30
Rated torque intermittent	Type V	Type S	Nm	6	30	60
Max. efficiency at rated torque			%	90	85	80
Average backlash at no load	Type Standard	Type V	arcmin ≤	20	35	50
Average backlash at no load	Type R		arcmin ≤	10	20	30
Average backlash at no load	Type S		arcmin ≤	6	12	15
Weight without adapter plate			g	475	600	725
Dimension L			mm	41	55.5	70
Dimension A			mm		8.5	
Dimension B			mm		23.5	
Max. radial load	F _R	10 mm from shaft end	N		250	
Max. axial load	F _A		N		200	
Max. continuous rated speed at drive			min ⁻¹		5000	
Max. intermittent rated speed at drive			min ⁻¹		8000	
Temperature range			°C		-25 / +90	

Type V = heavy duty version | Type R = reduced backlash version | Type S = low backlash version

Changes reserved © GYSIN AG | 05/2015



PLANETARY GEARBOX GPL065



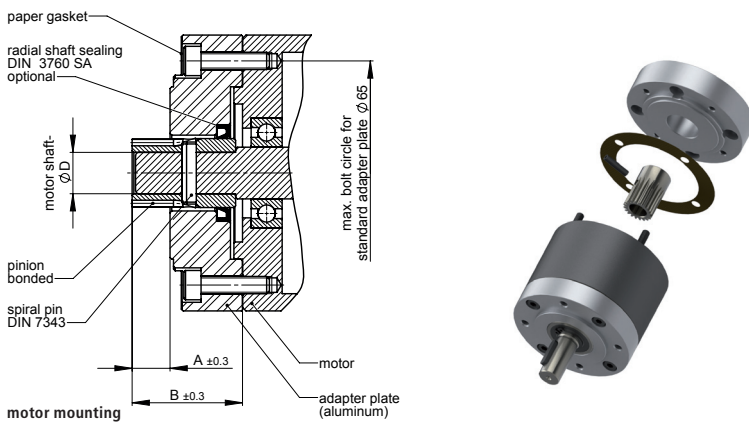
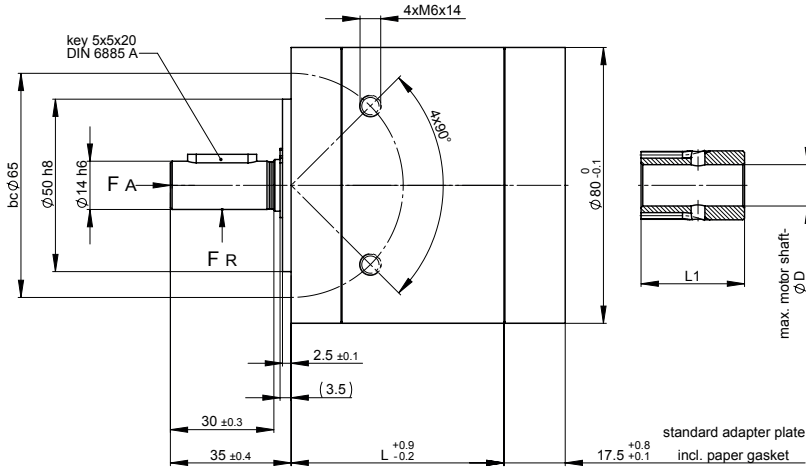
		1-STAGE	2-STAGE	3-STAGE			
Ratio i:1	Max. motor shaft-ØD	Ratio i:1	Max. motor shaft-ØD	Ratio i:1	Max. motor shaft-ØD		
				49	12		
				56	12		
				12.25	14	64	12
				14	12	70	12
				16	12	80	12
				20	12	100	12
				24	12	120	12
				25	9	144	12
				3.5	14	30	9
4	12	30.67	12	235.11	12		
5	9	38.33	9	293.89	9		
6	6	46	6	352.67	6		
7.67	5	58.78	5	450.63	5		

Standard scope of delivery Gearbox lubricated for duration of service life, dust-proof package, motor pinion, mounting screws, paper gasket and assembly instructions (adapter plate optional).
Customized versions also available for small quantities.

Rated torque continuous	Type Standard	Type R	Nm	3	15	38
Rated torque intermittent	Type Standard	Type R	Nm	6	30	75
Rated torque continuous	Type V	Type S	Nm	6	30	38
Rated torque intermittent	Type V	Type S	Nm	12	38	75
Max. efficiency at rated torque			%	90	85	80
Average backlash at no load	Type Standard	Type V	arcmin ≤	20	35	50
Average backlash at no load	Type R		arcmin ≤	10	20	30
Average backlash at no load	Type S		arcmin ≤	6	12	15
Weight without adapter plate			g	1000	1400	1750
Dimension L			mm	53.5	71.5	89.5
Dimension L1			mm	32		30
Dimension A			mm	13		11
Dimension B			mm	34		32
Max. radial load	F _R	15 mm from shaft end	N		400	
Max. axial load	F _A		N		320	
Max. continuous rated speed at drive			min ⁻¹		4000	
Max. intermittent rated speed at drive			min ⁻¹		6000	
Temperature range			°C		-25 / +90	

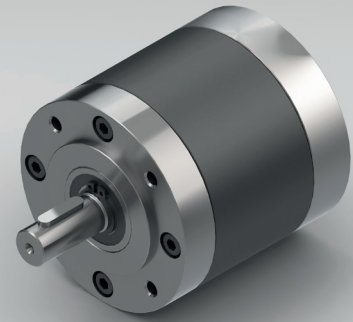
Type V = heavy duty version | Type R = reduced backlash version | Type S = low backlash version

Changes reserved © GYSIN AG | 05/2015



Standard scope of delivery Gearbox lubricated for duration of service life, dust-proof package, motor pinion, mounting screws, paper gasket and assembly instructions (adapter plate optional).
Customized versions also available for small quantities.

PLANETARY GEARBOX GPL080

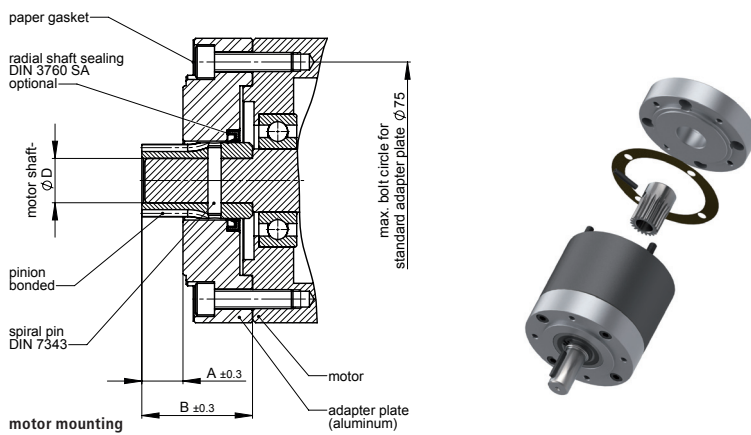
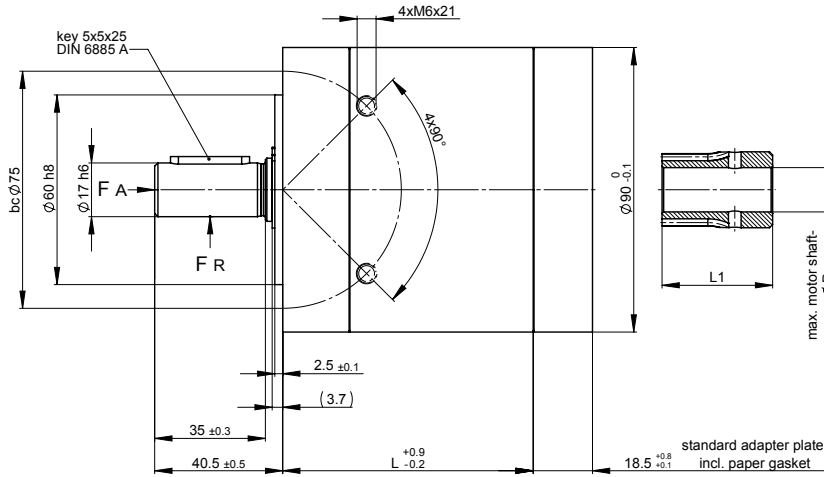


		1-STAGE	2-STAGE	3-STAGE			
Ratio i:1	Max. motor shaft-$\varnothing D$	Ratio i:1	Max. motor shaft-$\varnothing D$	Ratio i:1	Max. motor shaft-$\varnothing D$		
				49	12		
				56	12		
				12.25	14	64	12
				14	12	70	12
				16	12	80	12
				20	12	100	12
				24	12	120	12
				25	9	144	12
				3.5	14	30	9
4	12	30.67	12	235.11	12		
5	9	38.33	9	293.89	9		
6	6	46	6	352.67	6		
7.67	5	58.78	5	450.63	5		

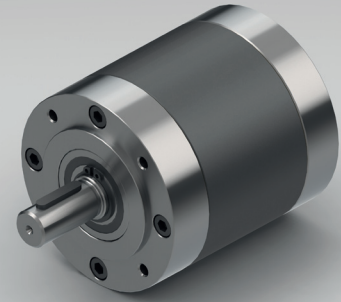
Rated torque continuous	Type Standard	Type R	Nm	3	15	38
Rated torque intermittent	Type Standard	Type R	Nm	6	30	75
Rated torque continuous	Type V	Type S	Nm	6	30	38
Rated torque intermittent	Type V	Type S	Nm	12	38	75
Max. efficiency at rated torque			%	90	85	80
Average backlash at no load	Type Standard	Type V	arcmin \leq	20	35	50
Average backlash at no load	Type R		arcmin \leq	10	20	30
Average backlash at no load	Type S		arcmin \leq	6	12	15
Weight without adapter plate			g	1500	2100	2750
Dimension L			mm	43.5	61.5	79.5
Dimension L1			mm	32		30
Dimension A			mm	13		11
Dimension B			mm	34		32
Max. radial load	F_R	15 mm from shaft end	N		400	
Max. axial load	F_A		N		320	
Max. continuous rated speed at drive			min ⁻¹		4000	
Max. intermittent rated speed at drive			min ⁻¹		6000	
Temperature range			°C		-25 / +90	

Type V = heavy duty version | Type R = reduced backlash version | Type S = low backlash version

Changes reserved © GYSIN AG | 05/2015



PLANETARY GEARBOX GPL090

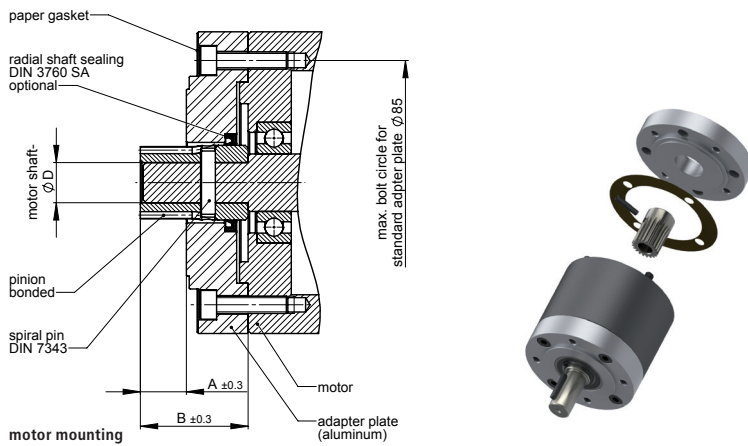
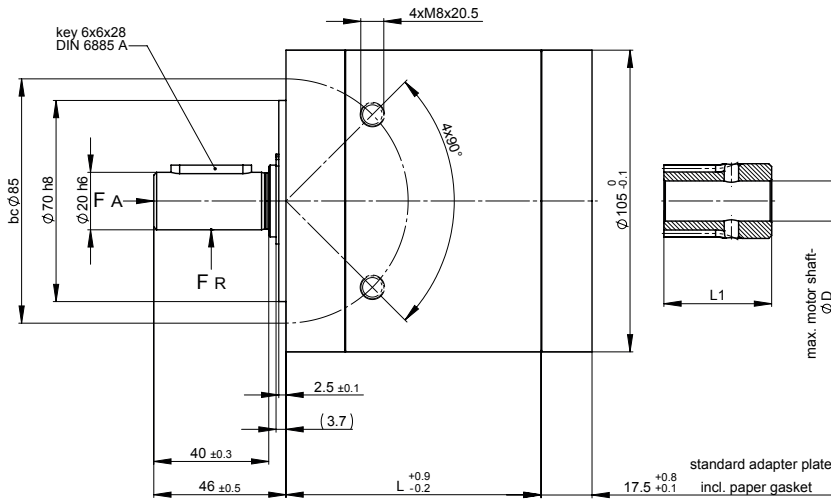


		1-STAGE	2-STAGE	3-STAGE		
Ratio i:1	Max. motor shaft- \varnothing D	Ratio i:1	Max. motor shaft- \varnothing D	Ratio i:1	Max. motor shaft- \varnothing D	
				49	14	
		56	14			
		12.25	16	64	14	
		14	14	70	14	
		16	14	80	14	
		20	14	100	14	
		24	14	120	14	
		25	11	144	14	
		3.5	16	30	11	184
4	14	30.67	14	235.11	14	
5	11	38.33	11	293.89	11	
6	8	46	8	352.67	8	
7.67	6	58.78	6	450.63	6	
Rated torque continuous	Type Standard	Type R	Nm	6	30	75
Rated torque intermittent	Type Standard	Type R	Nm	12	60	150
Rated torque continuous	Type V	Type S	Nm	12	60	75
Rated torque intermittent	Type V	Type S	Nm	24	75	150
Max. efficiency at rated torque			%	90	85	80
Average backlash at no load	Type Standard	Type V	arcmin \leq	20	35	50
Average backlash at no load	Type R		arcmin \leq	10	20	30
Average backlash at no load	Type S		arcmin \leq	6	12	15
Weight without adapter plate			g	2250	3250	4250
Dimension L			mm	56.5	79	101.5
Dimension L1			mm	38		35
Dimension A			mm	16		13
Dimension B			mm	38		35
Max. radial load	F_R	17.5 mm from shaft end	N		500	
Max. axial load	F_A		N		400	
Max. continuous rated speed at drive			min ⁻¹		4000	
Max. intermittent rated speed at drive			min ⁻¹		6000	
Temperature range			°C		-25 / +90	

Standard scope of delivery Gearbox lubricated for duration of service life, dust-proof package, motor pinion, mounting screws, paper gasket and assembly instructions (adapter plate optional).
Customized versions also available for small quantities.

Type V = heavy duty version | Type R = reduced backlash version | Type S = low backlash version

Changes reserved © GYSIN AG | 05/2015



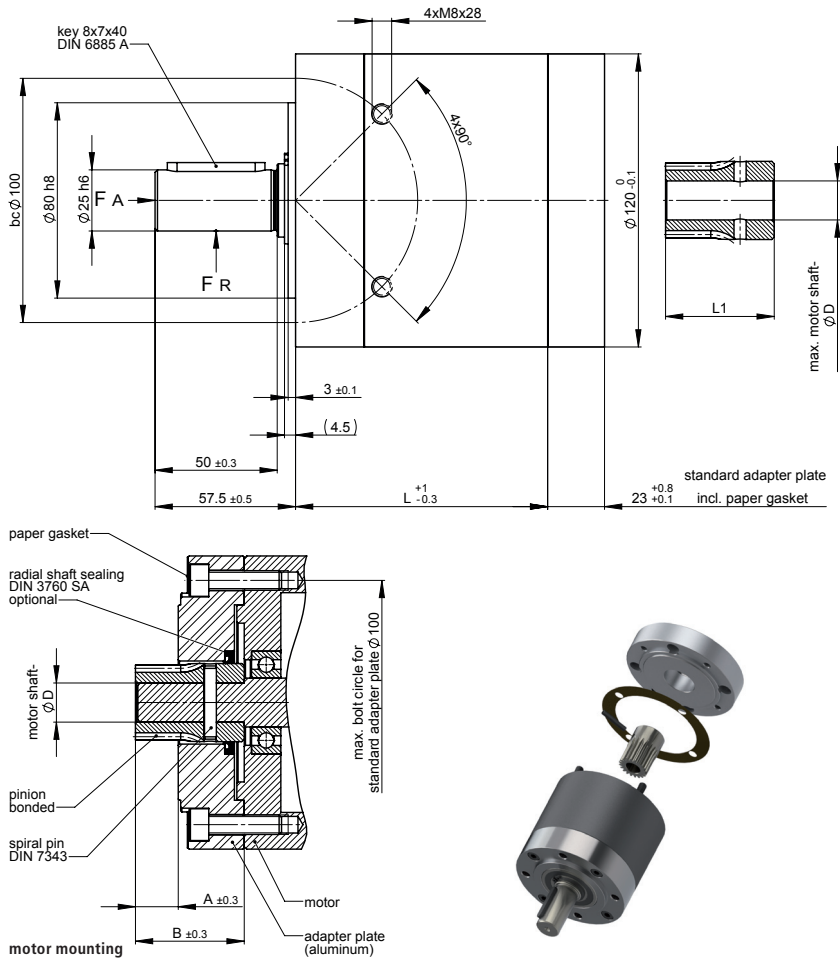
		1-STAGE	2-STAGE	3-STAGE			
Ratio i:1	Max. motor shaft-ØD	Ratio i:1	Max. motor shaft-ØD	49	16		
				56	16		
		12.25	19	64	16		
		14	16	70	16		
		16	16	80	16		
		20	16	100	16		
		24	16	120	16		
		25	12	144	16		
		3.5	19	30	12	184	16
		4	16	30.67	16	235.11	16
5	12	38.33	12	293.89	12		
6	8	46	8	352.67	8		
7.67	6	58.78	6	450.63	6		

Standard scope of delivery Gearbox lubricated for duration of service life, dust-proof package, motor pinion, mounting screws, paper gasket and assembly instructions (adapter plate optional).
Customized versions also available for small quantities.

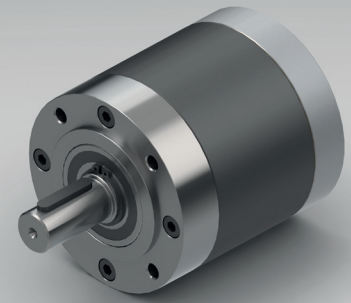
Rated torque continuous	Type Standard	Type R	Nm	12	60	150
Rated torque intermittent	Type Standard	Type R	Nm	25	120	300
Rated torque continuous	Type V	Type S	Nm	25	120	150
Rated torque intermittent	Type V	Type S	Nm	50	150	300
Max. efficiency at rated torque			%	90	85	80
Average backlash at no load	Type Standard	Type V	arcmin ≤	20	35	50
Average backlash at no load	Type R		arcmin ≤	10	20	30
Average backlash at no load	Type S		arcmin ≤	6	12	15
Weight without adapter plate			g	3250	4750	6250
Dimension L			mm	61.5	88.5	115.5
Dimension L1			mm	40	37.5	
Dimension A			mm	18.5	16	
Dimension B			mm	40	37.5	
Max. radial load	FR	20 mm from shaft end	N	800		
Max. axial load	FA		N	640		
Max. continuous rated speed at drive			min ⁻¹	3000		
Max. intermittent rated speed at drive			min ⁻¹	5000		
Temperature range			°C	-25 / +90		

Type V = heavy duty version | Type R = reduced backlash version | Type S = low backlash version

Changes reserved © GYSIN AG | 05/2015



PLANETARY GEARBOX GPL120



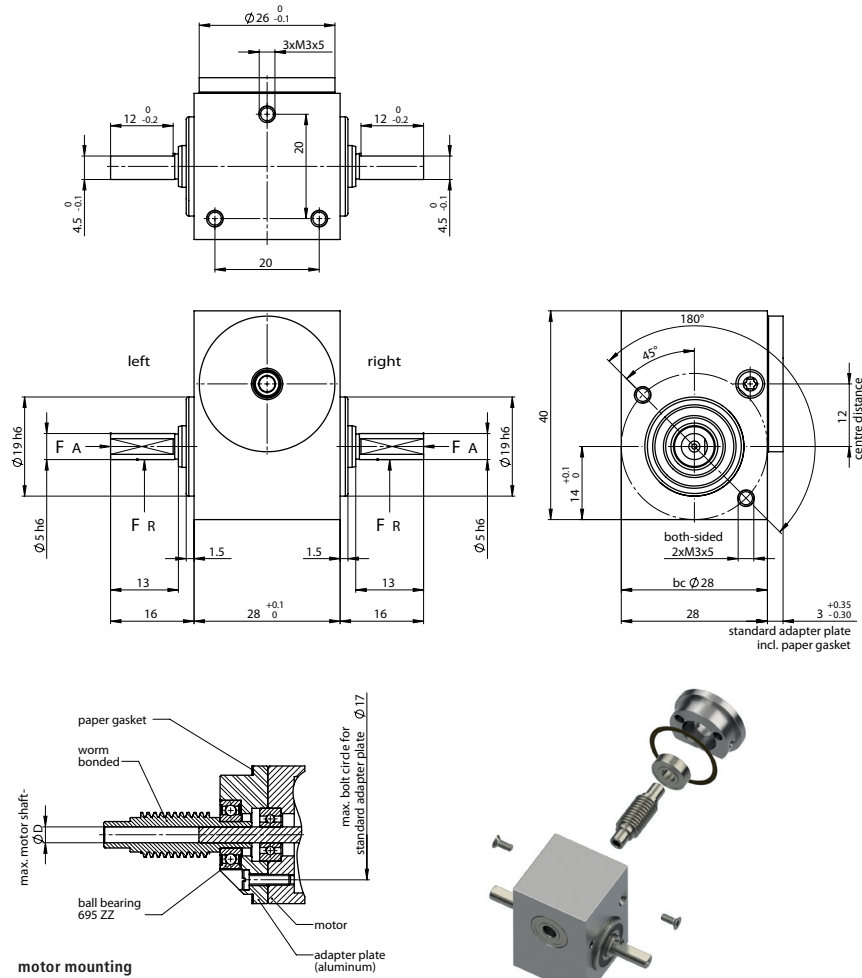
		1-STAGE	2-STAGE	3-STAGE	
Ratio i:1	Max. motor shaft- ϕ D		Ratio i:1	Max. motor shaft- ϕ D	
				Ratio i:1	Max. motor shaft- ϕ D
				49	19
		12.25	24	56	19
		14	19	64	19
		16	19	70	19
		20	19	80	19
3.5	24	24	19	100	19
4	19	25	14	120	19
5	14	30	14	144	19
6	10	36	10	180	14

Standard scope of delivery Gearbox lubricated for duration of service life, dust-proof package, motor pinion, mounting screws, paper gasket and assembly instructions (adapter plate optional).
Customized versions also available for small quantities.

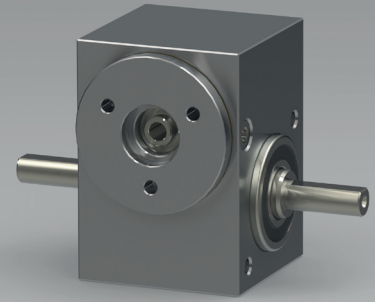
Rated torque continuous	Type Standard	Type R	Nm	25	130	350
Rated torque intermittent	Type Standard	Type R	Nm	50	250	600
Rated torque continuous	Type V	Type S	Nm	50	250	350
Rated torque intermittent	Type V	Type S	Nm	100	350	600
Max. efficiency at rated torque			%	90	85	80
Average backlash at no load	Type Standard	Type V	arcmin \leq	20	35	50
Average backlash at no load	Type R		arcmin \leq	10	20	30
Average backlash at no load	Type S		arcmin \leq	6	12	15
Weight without adapter plate			g	5000	7250	9500
Dimension L			mm	73	103	133
Dimension L1			mm	48	44.5	
Dimension A			mm	21	17.5	
Dimension B			mm	48	44.5	
Max. radial load	F _R	25 mm from shaft end	N	1500		
Max. axial load	F _A		N	1200		
Max. continuous rated speed at drive			min ⁻¹	3000		
Max. intermittent rated speed at drive			min ⁻¹	5000		
Temperature range			°C	-25 / +90		

Type V = heavy duty version | Type R = reduced backlash version | Type S = low backlash version

Changes reserved © GYSIN AG | 05/2015



WORM GEARBOX GSR012



1-STAGE

Ratio i:1	Max. efficiency factor (%)
5	75
7	70
10	65
15	55
20	50
25	55
30	40
40	35
50	30
60	30

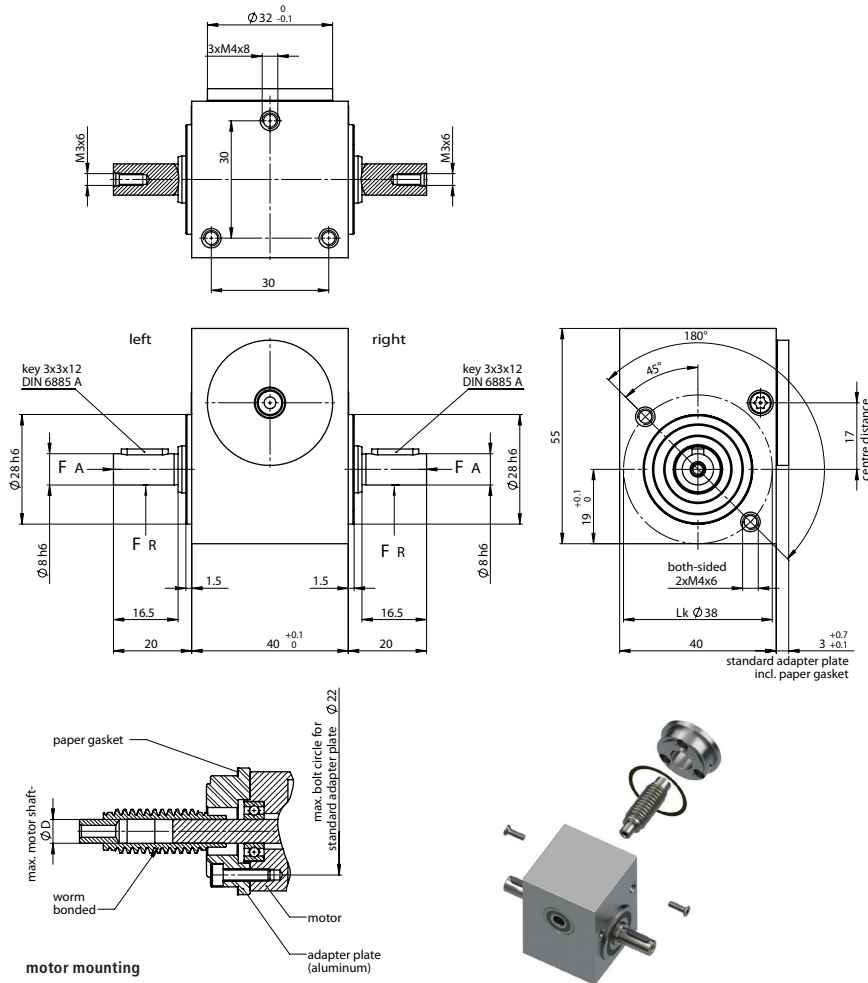
Standard scope of delivery Gearbox lubricated for duration of service life, dust-proof packaged, worm, mounting screws, paper gasket and assembly instructions (adapter plate optional).

Customized versions also available for small quantities.

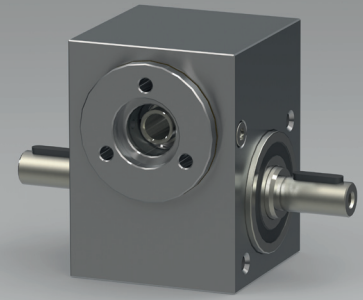
Rated torque continuous	Nm	1	
Rated torque intermittent	Nm	1.5	
Average backlash at no load	Type Standard	arcmin ≤ 30	
Average backlash at no load	Type R	arcmin ≤ 15	
Weight without adapter plate	g	140	
Standard bore-øD worm	mm	3	
Max. motor shaft-øD	mm	4	
Max. radial load	F _R	6.5 mm from shaft end	N 50
Max. axial load	F _A		N 40
Max. continuous rated speed at drive	min ⁻¹		4000
Max. intermittent rated speed at drive	min ⁻¹		6000
Temperature range	°C		-25 / +90

Type R = reduced backlash version

Changes reserved © GYSIN AG | 05/2015



WORM GEARBOX GSR017



1-STAGE

Ratio i:1	Max. efficiency factor (%)
5	75
7	70
10	65
15	55
20	50
25	55
30	40
40	35
50	30
60	30

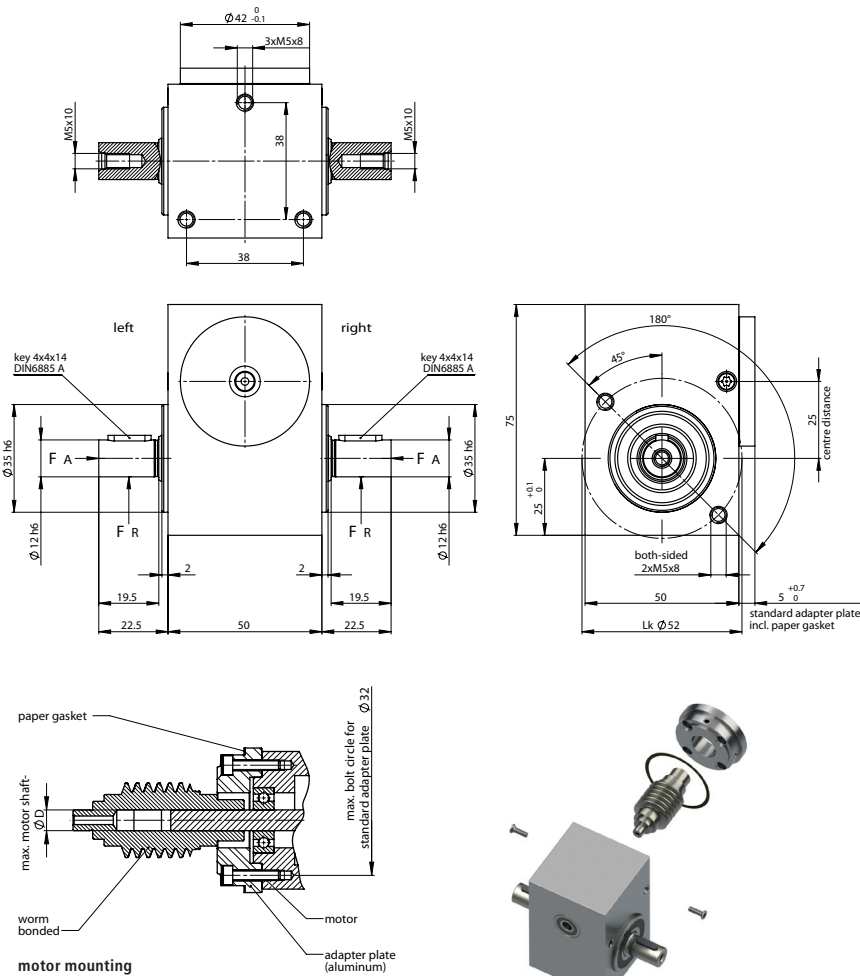
Standard scope of delivery Gearbox lubricated for duration of service life, dust-proof packaged, worm, mounting screws, paper gasket and assembly instructions (adapter plate optional).

Customized versions also available for small quantities.

Rated torque continuous	Nm	2
Rated torque intermittent	Nm	3
Average backlash at no load	Type Standard	arcmin ≤ 30
Average backlash at no load	Type R	arcmin ≤ 15
Weight without adapter plate	g	300
Standard bore-øD worm	mm	6
Max. motor shaft-øD	mm	7
Max. radial load	F _R 8 mm from shaft end	N 100
Max. axial load	F _A	N 120
Max. continuous rated speed at drive	min ⁻¹	4000
Max. intermittent rated speed at drive	min ⁻¹	6000
Temperature range	°C	-25 / +90

Type R = reduced backlash version

Changes reserved © GYSIN AG | 05/2015

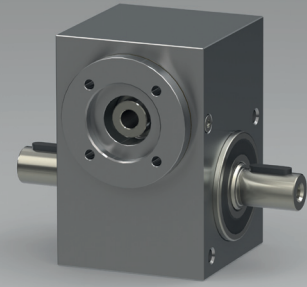


Standard scope of delivery Gearbox lubricated for duration of service life, dust-proof packaged, worm, mounting screws, paper gasket and assembly instructions (adapter plate optional).
Customized versions also available for small quantities.

Rated torque continuous		Nm	
Rated torque intermittent		Nm	
Average backlash at no load	Type Standard	arcmin ≤	30
Average backlash at no load	Type R	arcmin ≤	15
Weight without adapter plate		g	620
Standard bore-øD worm		mm	6
Max. motor shaft-øD		mm	8
Max. radial load	F _R	9.5 mm from shaft end	N
Max. axial load	F _A		N
Max. continuous rated speed at drive		min ⁻¹	4000
Max. intermittent rated speed at drive		min ⁻¹	6000
Temperature range		°C	-25 / +90

Type R = reduced backlash version

WORM GEARBOX GSR025



1-STAGE

Ratio i:1	Max. efficiency factor (%)
5	75
7	70
10	65
15	55
20	50
25	55
30	40
40	35
50	30
60	30

Changes reserved © GYSIN AG | 05/2015